

# WARING® COMMERCIAL WAFFLE AND WAFFLE CONE MAKERS

**WARING**  
COMMERCIAL™

## Features

- Heavy-duty die-cast housing
- Embedded heating elements for precise temperature control
- Rotary feature for even baking
- Independent Ready lights and audio beep signals let you know when to start and stop baking
- Limited 1 Year Warranty

## Single and Double Waffle Makers

WW180/WW200 - Belgian Waffles

WWCM180/WWCM200 - Waffle Cones

WWD180/WWD200 - Classic Waffles





### **WW180 SINGLE BELGIAN WAFFLE MAKER**

**Output:** 35 Belgian Waffles Per Hour  
**Electrical:** 120V, 1200W  
**Waffle Thickness:** 1"  
**Accessories Included:** Measuring Cup, Drip Tray



### **WW200 DOUBLE BELGIAN WAFFLE MAKER**

**Output:** 50 Belgian Waffles Per Hour  
**Electrical:** 120V, 1400W  
**Waffle Thickness:** 1"  
**Accessories Included:** Measuring Cup, Drip Tray



### **WWCM180 SINGLE WAFFLE CONE MAKER**

**Output:** 60 Waffle Cones Per Hour  
**Electrical:** 120V, 1200W  
**Waffle Cone Thickness:** 1/8"  
**Accessories Included:** Drip Tray, CAC121  
Rolling/Forming Tools



### **WWCM200 DOUBLE WAFFLE CONE MAKER**

**Output:** 120 Waffle Cones Per Hour  
**Electrical:** 120V, 1400W  
**Waffle Cone Thickness:** 1/8"  
**Accessories Included:** Drip Tray, CAC121  
Rolling/Forming Tools



### **WWD180 SINGLE WAFFLE MAKER**

**Output:** 30 Waffles Per Hour  
**Electrical:** 120V, 1200W  
**Waffle Thickness:** 5/8"  
**Accessories Included:** Measuring Cup, Drip Tray



### **WWD200 DOUBLE WAFFLE MAKER**

**Output:** 60 Waffles Per Hour  
**Electrical:** 120V, 1300W  
**Waffle Thickness:** 5/8"  
**Accessories Included:** Measuring Cup, Drip Tray



# Single and Double Belgian Waffle, Waffle Cone, and Waffle Makers

Ready/Ready-to-Bake Indicator Lights

Triple-Coated Non-Stick Plates with Embedded Heating Element

Temperature Control Knob

Power On Controls and Indicator Lights

Heavy-Duty Die-Cast Base

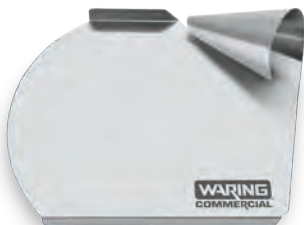
Dishwasher-Safe Drip Tray



START and STANDBY Buttons

WWCM180

Make the perfect waffle cones and bowls with ease!



**BONUS ACCESSORIES INCLUDED**  
Waffle cone rolling and forming tools



**OPTIONAL ACCESSORIES**  
Waffle bowl forming tools



## Specifications

# Single and Double Belgian Waffle, Waffle Cone, and Classic Waffle Makers



Item	Electrical	Listings	Dimensions (H" x W" x D")	Warranty
WW180	120V, 10 Amp, 1200 Watts	cETLus, NSF	9.5" x 11" x 17"	Limited 1 Year
WW200	120V, 11.6 Amp, 1400 Watts	cETLus, NSF	10" x 11" x 17"	Limited 1 Year
WWCM180	120V, 10 Amp, 1200 Watts	cETLus, NSF	9.5" x 11" x 17"	Limited 1 Year
WWCM200	120V, 11.6 Amp, 1400 Watts	cETLus, NSF	10" x 11" x 17"	Limited 1 Year
WWD180	120V, 10 Amp, 1200 Watts	cETLus, NSF	9.5" x 11" x 17"	Limited 1 Year
WWD200	120V, 10.8 Amp, 1300 Watts	cETLus, NSF	10" x 11" x 17"	Limited 1 Year

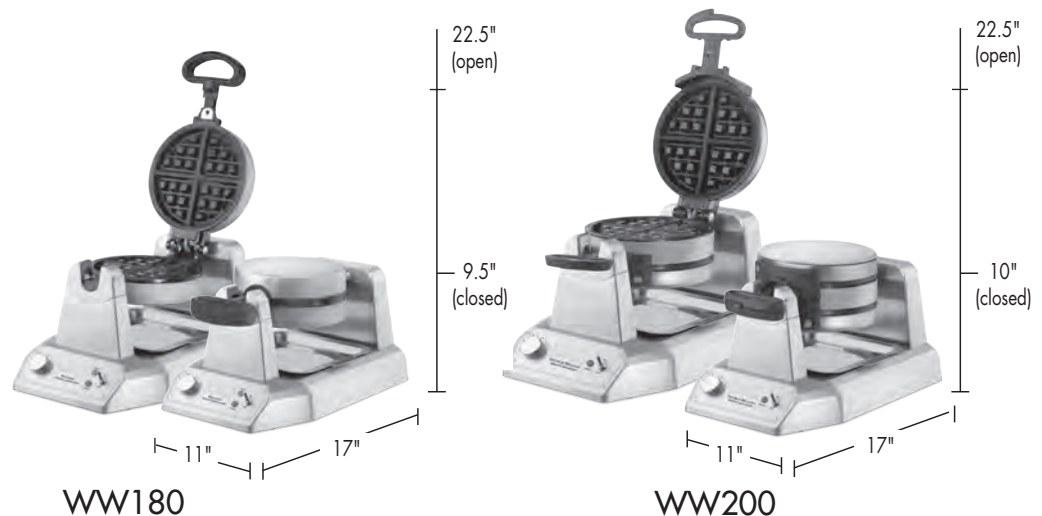
## Ordering Information

Description	Catalog #	Std Pkg.	Ship Wt. (lbs.)	Cubic Feet	UPC Code
Single Belgian Waffle Maker	WW180	1	17	1.691	040072016332
Double Belgian Waffle Maker	WW200	1	19.8	1.525	040072015687
Single Waffle Cone Maker	WWCM180	1	17	1.691	040072019937
Double Waffle Cone Maker	WWCM200	1	18	1.691	040072019906
Single Classic Waffle Maker	WWD180	1	17	1.691	040072019579
Double Classic Waffle Maker	WWD200	1	19.8	1.525	040072019586
Waffle Cone Rolling and Forming Tool	CAC121	1	1	0.18	040072022340
Waffle Bowl Forming Tool	CAC122	1	1	0.174	040072022333

©2014 Waring Commercial

Waring Commercial  
314 Ella T. Grasso Ave.  
Torrington, CT 06790  
Tel. (800) 492-7464  
Fax (860) 496-9008

14WC005586  
PG-29837



WW180

WW200